

TECHNICAL DATA

WiFi / RF 4 Zone Wall Mounted Controller

Specification	Product
	
Product code	CL-WC-RGB-RF
Description	4 zone wall mounted controller
Input voltage	12 – 24 V DC
Output	RF Signal
RF frequency	869.5MHz
RF output	10 dBm (max)
Operation frequency	2.4G
Operating temp	-20°C - +50°C
Quality	
Grade	Commercial
CE and RoHS certified	Yes
Warranty	2 years
Dimensions (mm)	
Length	86
Width	86
Depth	29.1
Fixing	Screw
Material	Glass front / plastic rear



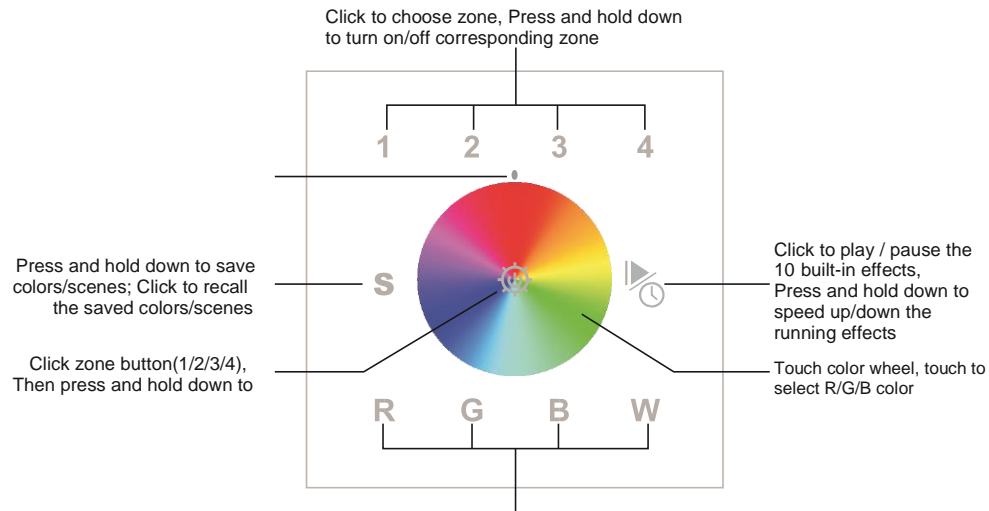
RF RGBW Wall Mounted Controller

09.2820E.04176



Important: Read All Instructions Prior to Installation

Function introduction

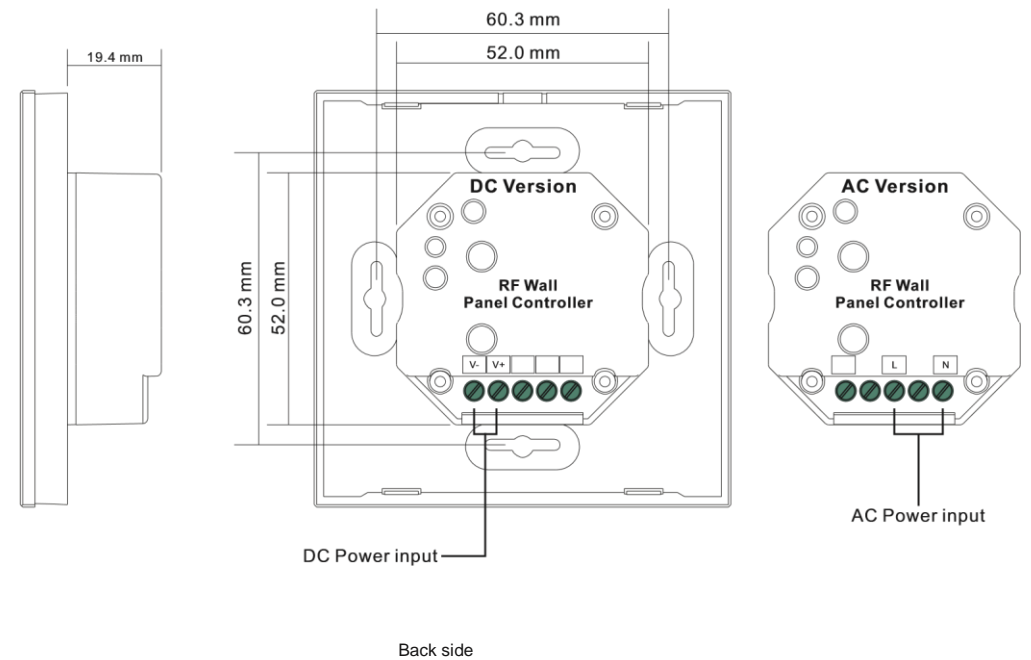


Click to turn on/off all zones.

increase/decrease light intensity of the chosen zone

R/G/B/W 4channels: Click to turn off/on the channel
Press and hold down to increase/decrease light intensity of each channel

Front side



Product Data

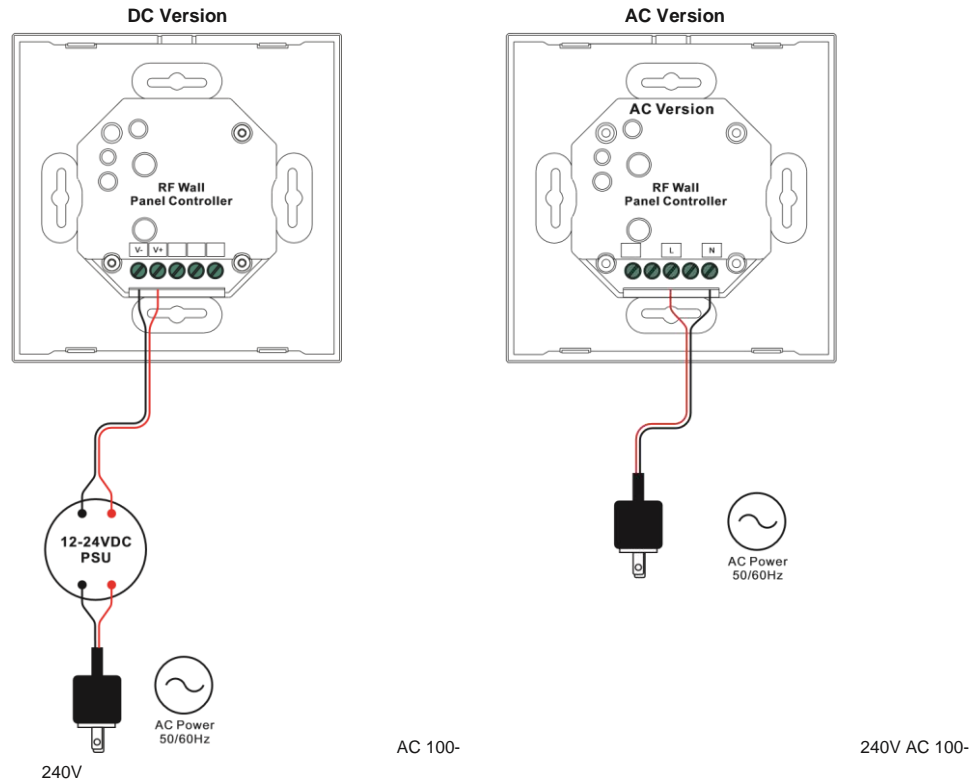
	DC Version	AC Version
Output Signal	RF signal	RF signal
Power Supply	12-24VDC	100-240VAC
Power consumption	20 mA	20 mA
Operating temperature	0-40°C	0-40°C
Relative humidity	8% to 80%	8% to 80%
Dimensions	86x86x29.1mm	86x86x29.1mm

- Touch sensitive
- Glass interface(white & black)
- Compatible with all universal series RF receivers
- Radio frequency: 869.5/434MHz
- Control RGBW color
- Control 4 zones synchronously and separately
- Waterproof grade: Ip20

Safety & Warnings

- DO NOT install with power applied to device.
- DO NOT expose the device to moisture.

Wiring diagram



Pair to RF receivers with learning key:

Turn on the wall receiver → Click "Learning Key" on RF wall panel controller: 1/2/3/4 → Click a zone number on the panel controller → Touch the color wheel →

→ LED lights connected with the receiver will flicker once. The receiver is paired with RF the remote successfully.

Pairing to RF receiver without learning key:

Power off and power on the receiver □ turn on the panel, then click a zone number 3 times and press and hold it continuously and quickly within 10 seconds □ LED light connected with the receiver will flash to indicate successful pairing to the selected zone.

Delete the pairing with learning key:

Press and hold down "Learning Key" on the receiver for over 3 seconds until connected LED lights flicker twice, which means the pairing is deleted successfully.

Delete pairing without learning key and panel:

Power off and power on the receiver for 5 times continuously, the connected LED light will flash to indicate all pairing information is deleted successfully.

Save color/scene/mode:

Turn on the wall receiver → Click one of the paired zone numbers → Press and hold down button **S** until panel controller → select a color /mode you like → the LED indicator change color

→ Immediately click any number of 1-4 (here the → →

The connected LED light with the color/scene is numbers mean 4 scenes can be saved for the DMX decoder/RF receiver will flash saved successfully. selected zone) to save the scene **Recall**

the saved colors/scenes:

Turn on the wall panel controller → Click any of the zone numbers you would like to recall the scene/color → Click button **S** → Click any numbers 1-4 (here 1-4 means the 4 scenes saved for selected zone) to recall a saved scene

Installation

