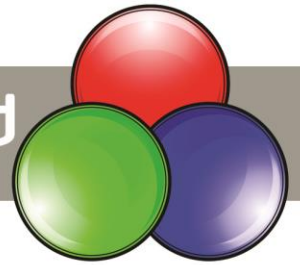


TECHNICAL DATA

Wi-Fi Receiver

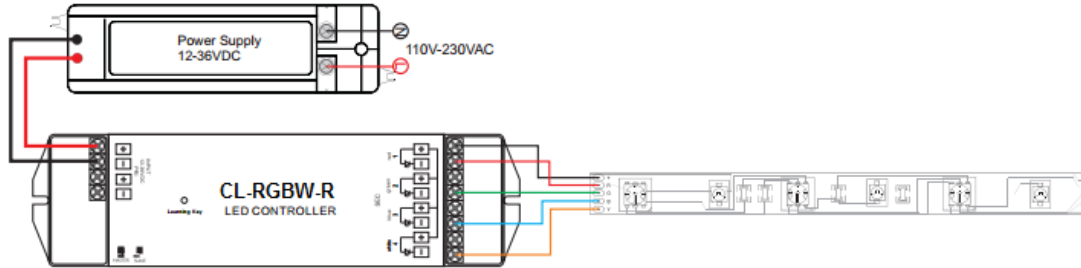
Specification	Product
Product code	CL-RGBW-R
Description	Receiver for RGB and RGBW LED Wi-Fi Control
Power supply	Requires PSU
Power input	12V / 24V DC
Power output	12V / 24V DC
Current	4 x 5A
IP rating	IP20 (indoor use only)
Dimmable	Yes 5% - 100%
Operating temp	-20°C - +50°C
Address setting	Via Learning Key
Master / slave Function	Yes
Quality	
Grade	Commercial
CE and RoHS certified	Yes
Warranty	2 years
Dimensions (mm)	
Length	178
Width	46
Depth	20
Fixing	Screw
Material	White plastic



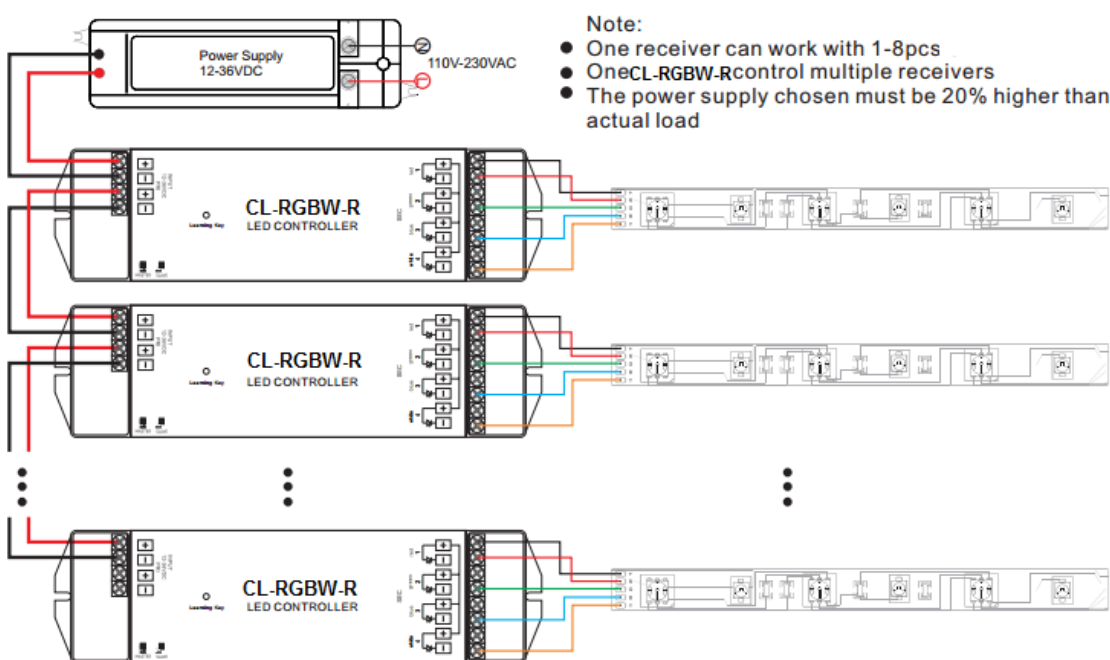


Wiring diagram

1) Receiver Connection Diagram for Single Unit



2) Receiver Connection Diagram for Multiple Units



Note:

- One receiver can work with 1-8pcs
- One CL-RGBW-R control multiple receivers
- The power supply chosen must be 20% higher than the actual load