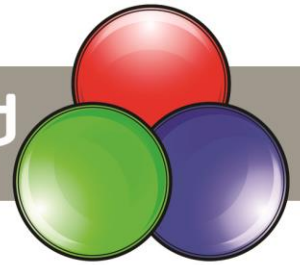


TECHNICAL DATA

DMX512 LED Tape Drivers and Decoders

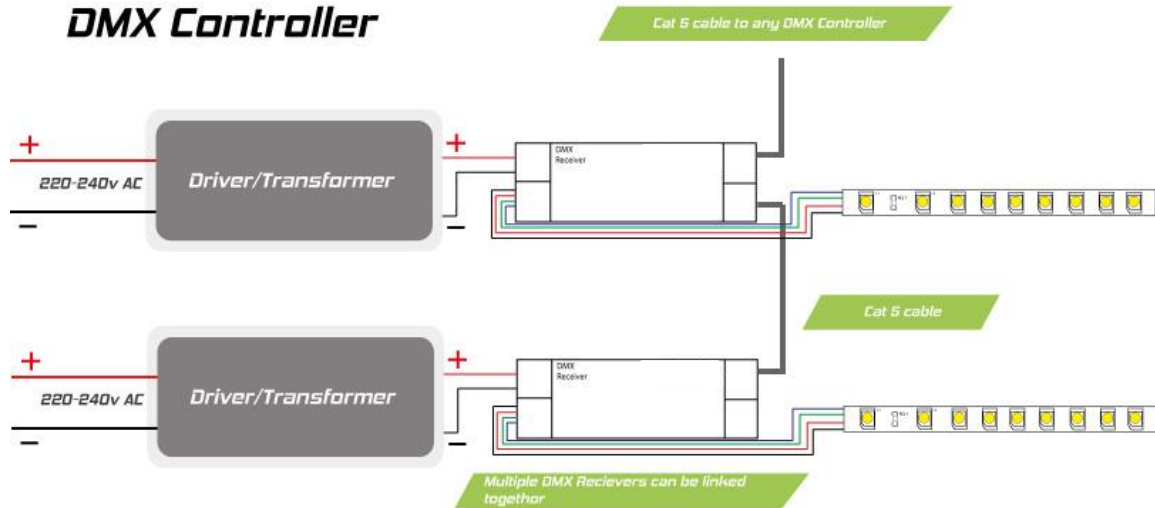
Specification	Product			
				
Product code	CL-DMX512RGB	CL-DMX512RGBW	CL-P-DMX512-300-CV	CL-P-DMX512-400-CV
Application	RGB LED Tape	RGBW LED Tape	RGB and RGBW LED Tape	RGB and RGBW LED Tape
Power supply	Required	Required	Built in	Built in
Power input	12V or 24V DC	12V or 24V DC	24V 220 – 240v AC (50/60 Hz)	24V 220 – 240v AC (50/60 Hz)
Power output	180W @ 12V / 360W @24V	240W @ 12V / 480W @ 24V	300w @ 24V	400w @ 24V
Power rating	5 amps per channel (15 amp max)	5 amps per channel (20 amp max)	4 amps per channel (16 amp max)	4 amps per channel (16 amp max per output)
Input signal	Standard DMX512 protocol	Standard DMX512 protocol	Standard DMX512 protocol	Standard DMX512 protocol
Channels	3 channel RGB	4 Channel RGBW	3 or 4 channel RGB & RGBW	3 or 4 channel RGB & RGBW per output (12 or 16 channel total)
LED outputs	Single zone	Single zone	Single zone	Four zone
Operating temp	0°C - 70°C	-20°C - +50°C	0°C - 70°C	-20°C - +45°C
DMX Address setting	DIP switch	Digital	Digital	Digital
Lighting	256 level brightness Full colour control	256 level brightness Full colour control	256 level brightness Full colour control	256 level brightness Full colour control
Master / slave Function	No	No	Yes	Yes
Connections				
Power	Terminal screws	Terminal screws	IEC Plug	IEC Plug
LED Tape	Terminal screws	Terminal screws	5 pin phoenix	5 pin phoenix
DMX512 Signal	RJ45 + CAT 5 cable	Terminal screws	3 pin phoenix	3 pin XLR
Quality				
Grade	Commercial	Commercial	Commercial	Commercial
CE and RoHS certified	Yes	Yes	Yes	Yes
Warranty	2 years	2 years	2 years	2 years
Dimensions (mm)				
Length	178	167	361	370
Width	42	52	145	203
Depth	33	23	61	81.5
Weight	263g	120g	1.8kg	4.5kg
Fixing	Screw	Screw	Screw	Screw
Material	Black metal	White plastic	Black metal	Black metal





Wiring diagram for:
CL-DMX512RGB-1 and CL-DMX512RGB-2

DMX Controller



Mains

Transformer

DMX Controller

RGB LED Tape