

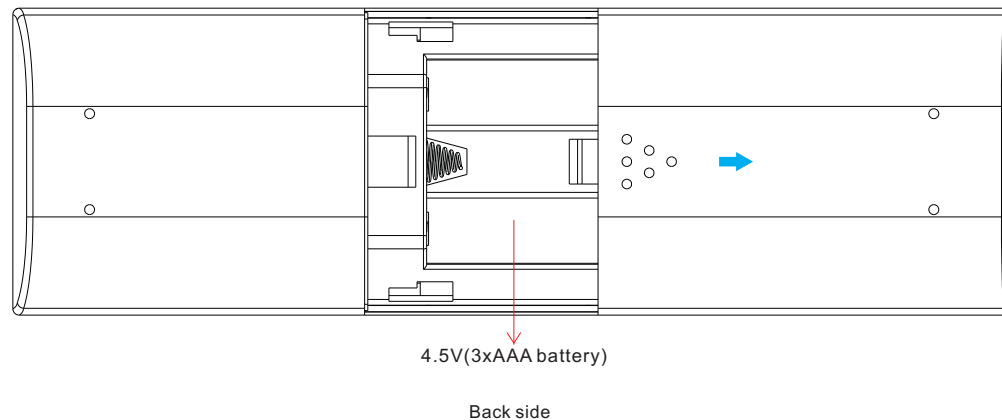
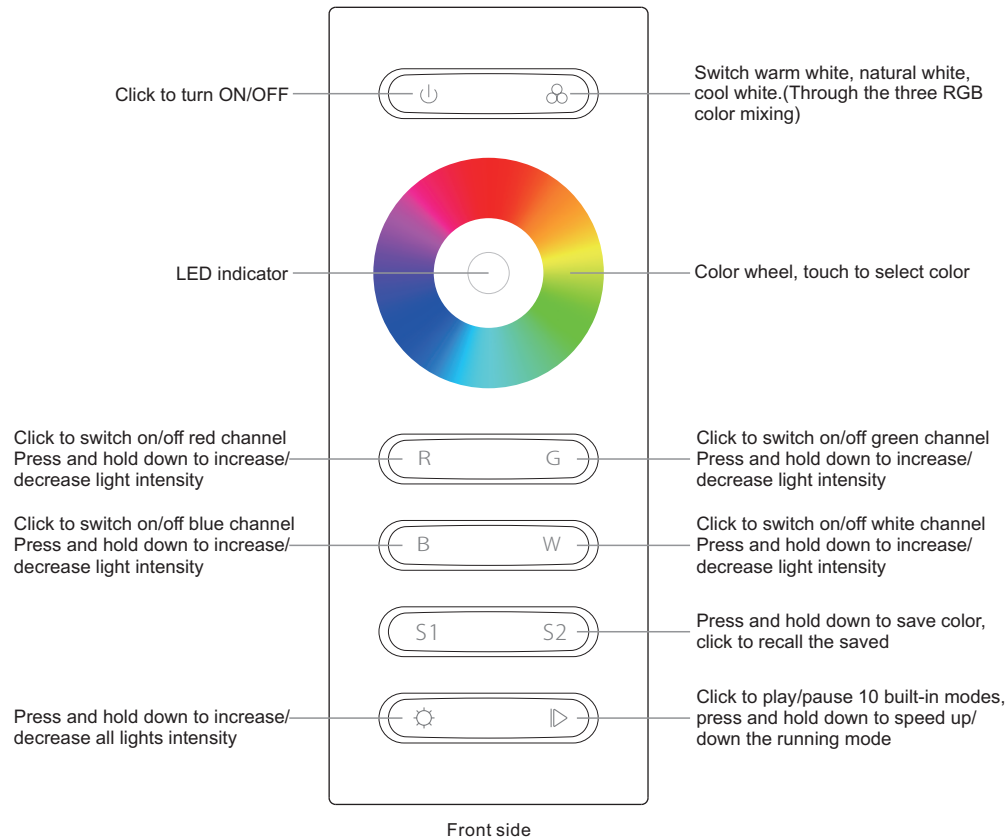
# RF RGBW Remote Controller

09.2839W.042302



**Important:** Read All Instructions Prior to Installation

## Function introduction



## Product Data

Output	RF signal
Operation Frequency	868/915/434MHz
Power Supply	4.5V(3xAAA battery)
Operating temperature	0-40°C
Relative humidity	8% to 80%
Dimensions	120x48x17.6mm

- Control 1 zone of RF receiver
- RGBW color controller
- Compatible with universal serie RF receiver
- 1 receiver can be paired by max 8 different remote controls.
- Waterproof grade: IP20

## Safety & Warnings

- This device contains AAA batteries that shall be stored and disposed properly.
- DO NOT expose the device to moisture.

## Operation

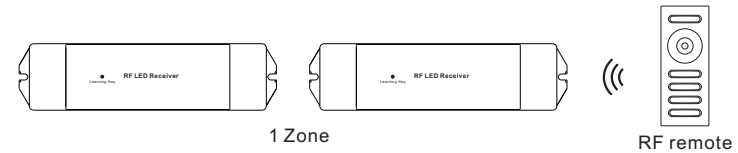
### Pair with RF receivers:

Turn on the remote → Click "RF Code Key" on RF receiver → Touch the color wheel → LED lights connected with the RF receiver will flicker once → The receiver is paired with the remote successfully.

### How to delete the pairing:

Press and hold down "RF Code Key" on the receiver for over 3 seconds until connected LED lights flicker twice, which means the pairing is deleted successfully.

**If you use multiple receivers, you can have all the receivers in the same zone**

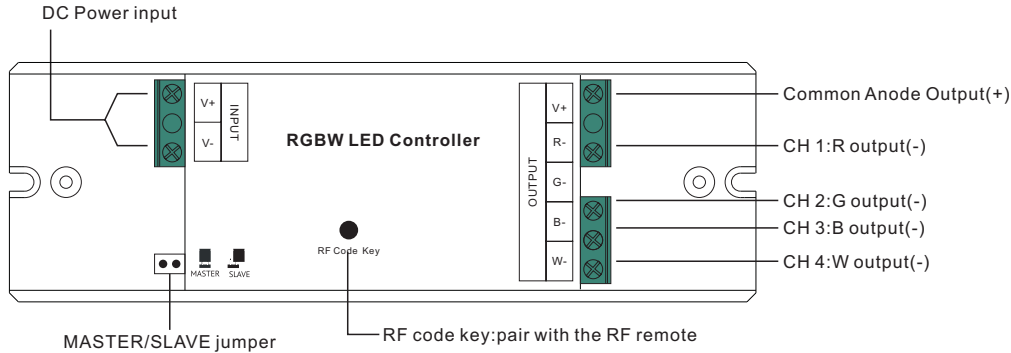


# RF RGBW Receiver



**Important:** Read All Instructions Prior to Installation

## Function introduction



## Product Data

Input Voltage	Output Current	Output Power	Remarks	Size(LxWxH)
12-24VDC	4x5A	4x(60-120)W	Constant voltage	145x46.5x16mm

- Radio Frequency : 868/915/434mhz
- Waterproof grade: IP20

## Safety & Warnings

- DO NOT install with power applied to device.
- DO NOT expose the device to moisture.

## Operation

Do wiring according to connection diagram.

Pair RF Receiver with RF remote:

1. Connect and wire up the RF receiver correctly, power on.
2. Turn on the remote, click the “**RF Code Key**” button on receiver, immediately touch the color wheel, the connected led light on receiver flickers twice, which means well paired.

**Note:** one receiver can be paired with max 8 remote controls.

Delete the pairing:

1. Wire up the RF receiver correctly, power on
2. Hold down the “**RF Code Key**” button on receiver for over 3 seconds until the connected led light on receiver flickers twice, which means well deleted.

## MASTER/SLAVE jumper:

In a group of multiple receivers, in order to get a good sync of RGB running effect, please set only 1 receiver as MASTER, the other receivers as SLAVE.

**After setting the Master, the Master receiver need to power off and on once to make the Master function take effect.**

## Wiring Diagram

